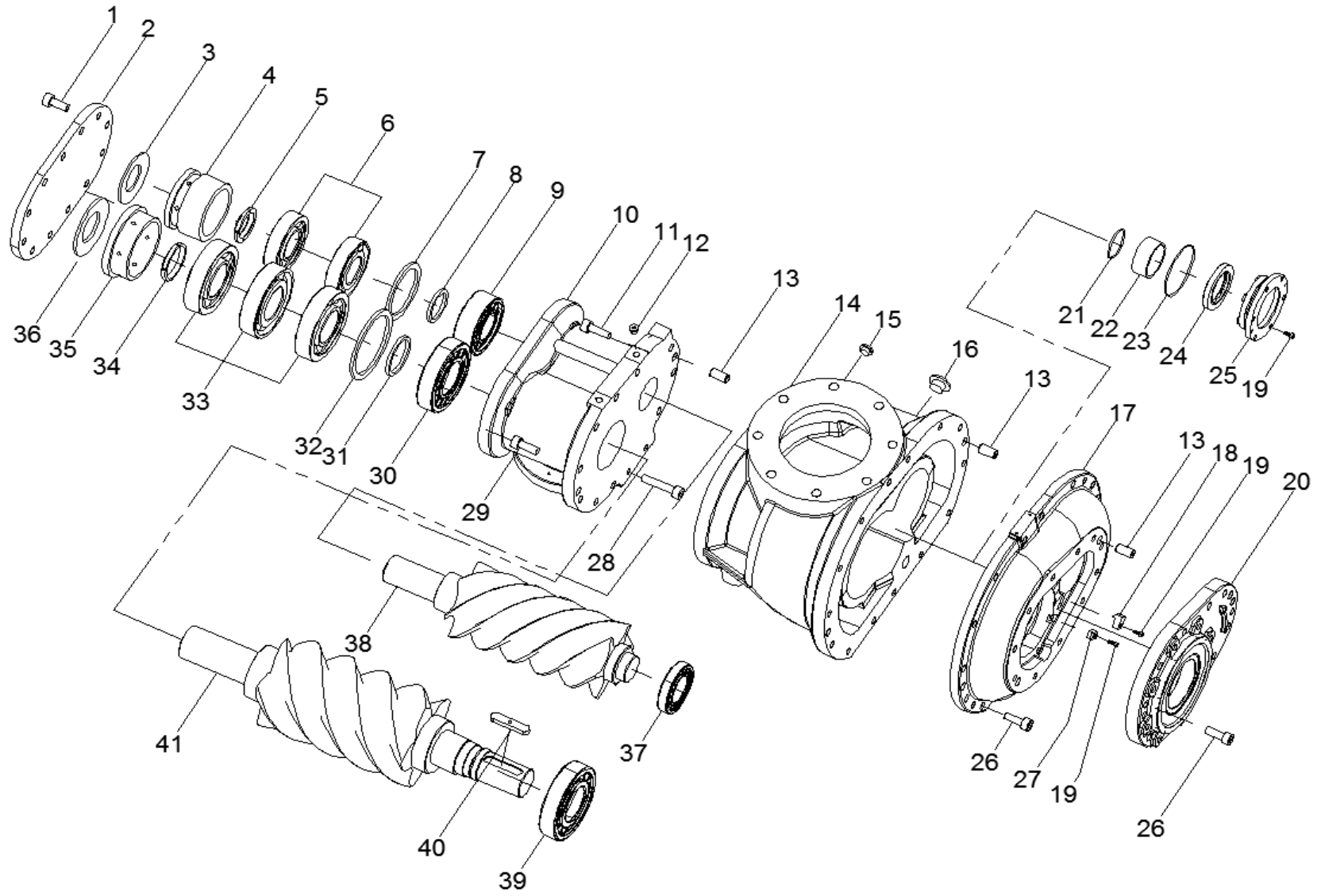


AA-1320 Construction BOM



AA-1320 Construction BOM

Item	Number	Description	Quantity	Item	Number	Description	Quantity
1	4301-116040-C	Bolt	12	22	4807-04	Bush	1
2	3523-1101A	Discharge Cover Plate	1	23	4201-VG125	O-Ring	1
3	4307-DB125	Disc Spring	1	24	4203-085110R	Shaft Seal	1
4	3523-1111A	Bearing Spacer	1	25	3507-1161D	Seal Cover	1
5	4302-265	KM Nut	1	26	4301-116045-C	Bolt	25
6	4101-7313BUO	Bearing	2	27	3507-1037A	Stop	2
7	3504-113DA	Spacer Ring	1	28	4301-116080-C	Bolt	2
8	3504-1134A	Spacer Ring	1	29	4301-116050-C	Bolt	8
9	4102-NU2313E	Bearing	1	30	4102-NU316E	Bearing	2
10	35328-1131AA	Bearing Seat	1	31	3507-1134A	Spacer Ring	1
11	4301-116060-C	Bolt	3	32	3507-113DA	Spacer Ring	1
12	4305-924	Plug	6	33	4101-7316BUO	Bearing	3
13	3101-1102B	Parallel Pin	6	34	4302-280	KM Nut	1
14	35328-1141AA	Housing	1	35	3523-1109A	Bearing Spacer	1
15	4305-925	Plug	1	36	4307-DB140	Disc Spring	1
16	4305-929	Plug	1	37	4102-NJ213E	Bearing	1
17	35328-1166AA	Bearing Seat	1	38	35328-1133AE	Female Rotor	1
18	3514-1037A	Stop	2	39	4102-NJ317E	Bearing	1
19	4301-106016-C	Bolt	10	40	3508-3117A	Pinion Key	1
20	35323-1163AB	Front Cover Plate	1	41	35328-1132AF	Male Rotor	1
21	4201-VG070	O-Ring	1				